

# FILTER FROG®

## Patented Mineral Spa Disinfectant Operation Manual

- Up to 50% reduction in bromine or chlorine use.\*
- Eliminates daily dosing for less work

### Product Description:

The FILTER FROG® contains a patented mineral formula that destroys bacteria while neutralizing acids, which helps keep the pH in an acceptable range with less monitoring. Using the FROG® Mineral System+ with reduced levels of bromine or chlorine improves spa pleasure by reducing the problems associated with bromine or chlorine including faded bathing suits, premature damage to spa equipment or surfaces and smelly odors.

Replace FILTER FROG® after 4 months or when draining and refilling spa with fresh water.

Active Ingredient:  
Silver Chloride . . . . . 0.5%  
Other Ingredients: . . . . . 99.5%  
Total: . . . . . 100.0%

Net Wt.: 58 grams  
EPA Reg. No.: 53735-11  
EPA Est. No.: 071209-AZ-001

It is a violation of Federal Law to use this product in a manner inconsistent with its labeling.



Mineral Hybrid Water Care

## Adopt a FROG® for Worry-Free Water!

- Take FROG home and experience softer water with a crystal clear shine.
- Make FROG a part of your family.
- Adopt an easier, more fun spa environment.

+ FROG® Mineral System consists of the FROG® minerals silver chloride and carbonate used with 1.0 ppm bromine or chlorine. FILTER FROG® must be used in conjunction with an EPA registered bromine or chlorine spa product or a bromine or chlorine delivery device.

\*Compared to the minimum ANSI recommended bromine level of 2.0 ppm for a spa.



## Regular Spa Care

- Ensure all spa equipment is working properly.
- Run filtration system a minimum of three hours per day.



- Regularly test water for pH, total alkalinity and bromine or chlorine levels.
- Maintain at least a 1.0 ppm bromine or chlorine level at all times.



• Shock the spa once a week or as needed. Additional shocking may be required if the spa is under heavy use. This is often the case when the spa is new.

Set for 4 mos.



• The FILTER FROG® must be replaced every 4 months. After four months of use or when draining and refilling the spa with fresh water, discard the FILTER FROG® in trash even if, upon shaking, it appears there is spent media left inside. Once wetted the time released minerals are effective up to four months. Non-refillable product. Do not reuse or refill this container. Do not attempt to reuse the product once removed from the spa.



## KING TECHNOLOGY, Inc.

530 11th Avenue South • Hopkins, MN 55343  
800-222-0169 • FAX 952-933-2206 • www.kingtechnology.com

U.S. Patents: D411,282; 6,217,892; 6,383,507; 6,551,609; 6,652,871 and other U.S. and Foreign Patents Pending.

20-48-0140 E032411553081143R4N

## Specifications

- Fits in most filters.
- Handles spas up to 600 gallons.
- Lasts 4 months.
- Easy to set reminder dial for product replacement.
- Use with bromine or chlorine.

## Spa Start Up

- Always drain and refill spa at least every 4 months.
- Clean or replace filter cartridge when dirty  
(Follow manufacturers instructions).
- Balance water according to the chart.
- Shock spa to establish a bromine or chlorine residual of 1.0-2.0 ppm with an EPA approved spa shock or by other means.

### WATER BALANCE GUIDELINES

pH:	7.2-7.8
Total Alkalinity:	80-180 ppm
Calcium Hardness:	150-400
Total Dissolved Solids:	<1500
Free Chlorine (or Bromine)	1.0-2.0 ppm

(Follow manufacturers directions.)

- Begin Regular Spa Care procedures on back page.
- \*NOTE: Bromine or chlorine levels are lower only when used with the FROG® Mineral System\*.

## Installing FILTER FROG®

1. Set reminder dial on FILTER FROG® to 4 months from month of installation. Turn dial by hand or with a coin if needed.
2. Place FILTER FROG® in one of the following locations in spa:

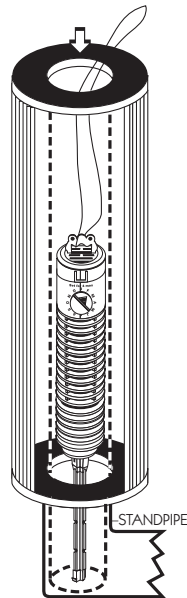
**a) Majority of Spas** - Insert FILTER FROG® inside filter cartridge core (**Diagram A**).

Do not allow FILTER FROG® to sit too low in the filter. If blocking water flow, install in filter well (**Diagram B**). If FILTER FROG® is inside a standpipe, attach a string to the FROG® head handle for easy removal.

**b) High Flow Spas** - On skimmer filters with 2.5 HP or larger pump motors, place FILTER FROG® in filter well outside the filter cartridge (**Diagram B**).

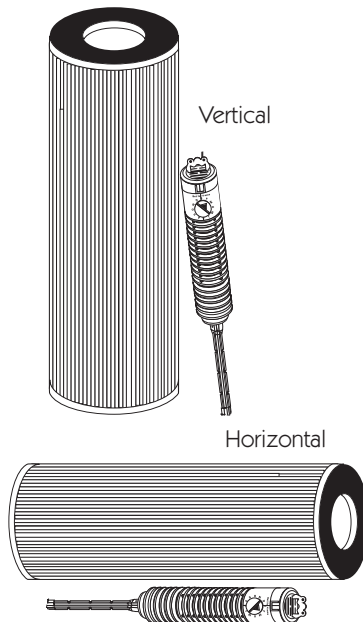
**c) Small Cartridge or Other Spas** - Place FILTER FROG® in skimmer tray (**Diagram C**).

### Diagram A

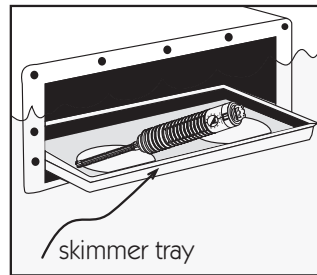


### Diagram B -

High Flow Spas In Filter Well



### Diagram C



If unit is too tall, cut rod at hash marks to shorten.